

联系我们



微信公众号



微信视频号

地址/ Address:

广东省佛山市顺德区北滘镇环镇东路4号
No.4, Huanzhen East Road, Beijiao Town, Shunde District, Foshan, Guangdong, China

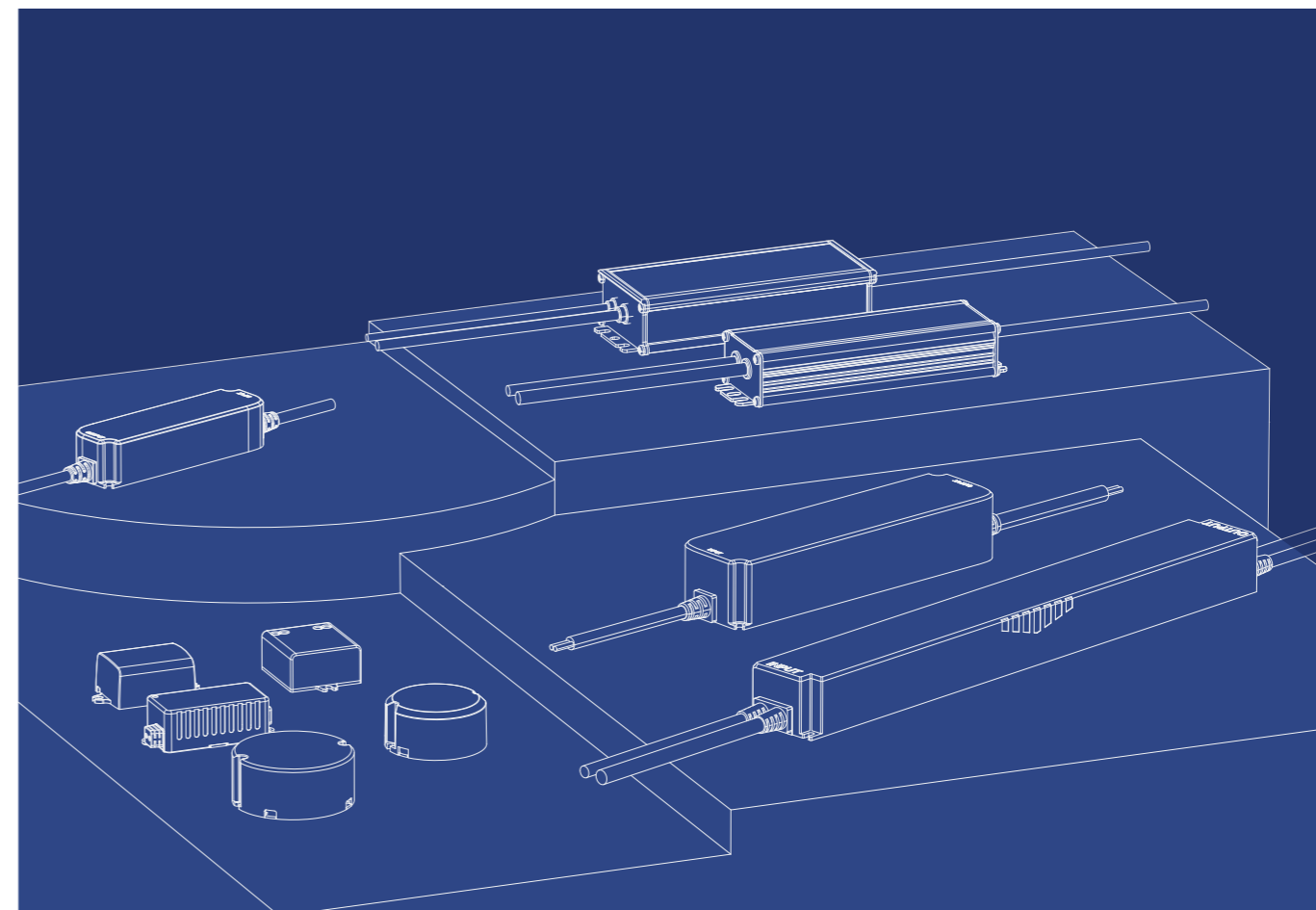
邮箱/ Email:

Sales@eaglerise.com

网址/ Web:

Lighting-eaglerise.com

LED驱动电源 产品图册 室外





1999
伊戈尔在佛山成立
Established in Foshan

2017
成功在深圳上市
Listed in Shenzhen

13.6万m²
拥有标准厂房13.6W m²
Company Area 136K m²

27年
行业经验
Years of experience

300+
专利技术及应用
Patents & applications

136,000m²
生产基地
Company area

1600+
在职员工
Skilled employees

100+
服务国家及地区
Served countries & regions

100Million
年产能一亿只
Annual capacity

企业介绍

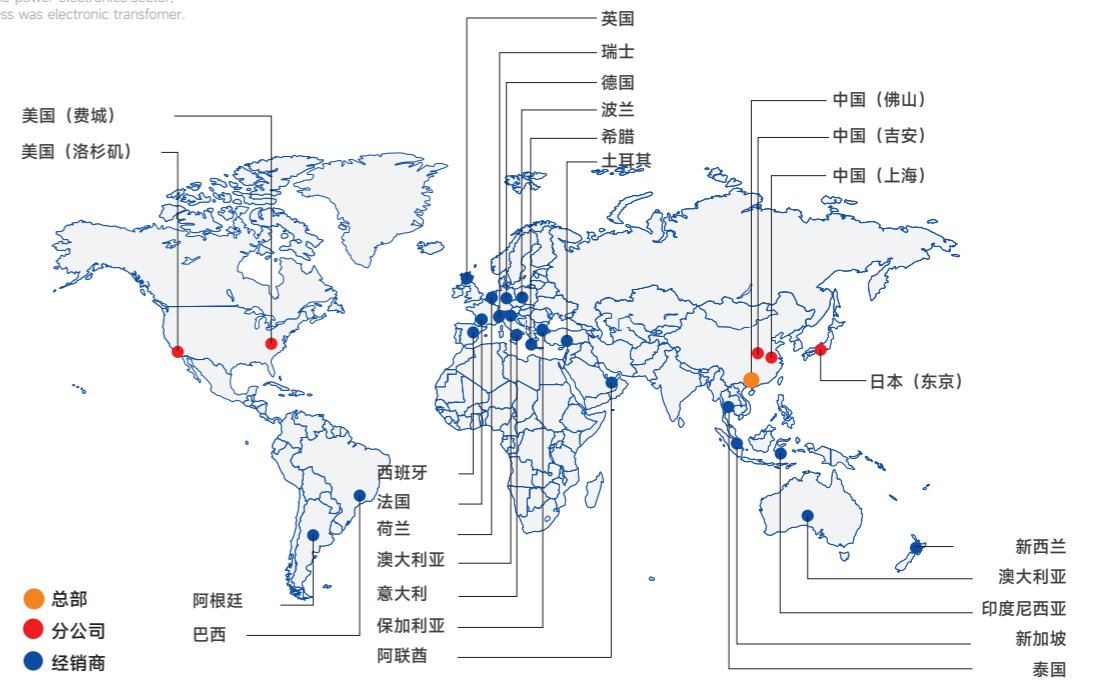
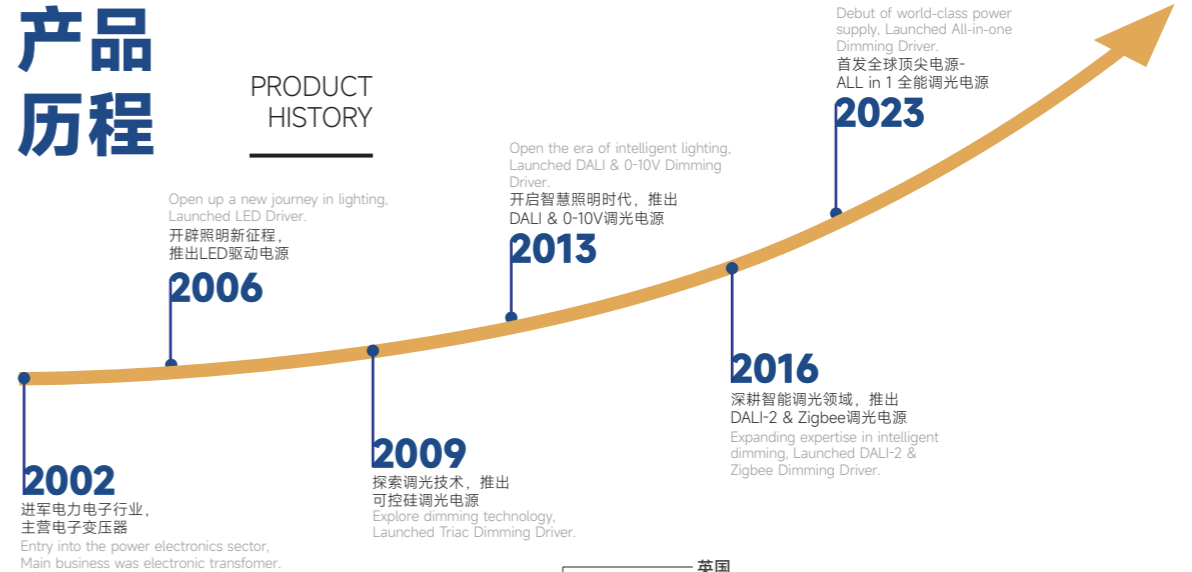
伊戈尔创立于1999年，总部位于佛山，2017年正式上市，股票代码：002922。旗下照明电源事业部成立于2001年，专注深耕照明电源产品的研发、制造、销售和服务，在佛山顺德和江西吉安两地拥有2大生产制造基地，总面积13.6万平方米。凭借强大的研发实力，数字化生产制造平台，在照明电源领域推陈出新，产品覆盖家居照明、商业照明、酒店照明、户外照明等照明场景，为全球客户提供更高效、更智能、更绿色的LED驱动电源与照明解决方案。

Eaglerise Electric & Electronic (China) Co., Ltd was founded in 1999 and headquartered in Foshan. Eaglerise was officially listed in 2017 with the stock code 002922. Our Lighting Business Unit was established in 2001, focusing on the research and development, manufacturing, sales, and service of LED driver. There are two manufacturing bases in Shunde, Foshan and Ji'an, Jiangxi, 136,000 sqm in total. With strong R&D and digital manufacturing plants, our products cover lighting scenarios such as home lighting, commercial lighting, hotel lighting, and outdoor lighting. We aim to provide global customers with more efficient, intelligent, and eco-friendly LED driver and lighting solutions.

ABOUT EAGLERISE

产品历程

PRODUCT HISTORY



项目案例

SUCCESSFUL CASES



命名规则

NAMING RULES

RMX-65-1200 IP67 0-10 L1 EXC

模式 Mode

- V 恒压
Constant Voltage
- C 恒流 (固定电流)
Constant Current(Fixed current)
- N 拨码调电流
Adjust current by DIP switch
- P 编码调电流
Adjust current by programming
- R 电阻调电流
Adjust current by resistor

形状 Shape

- M 金属矩形
Metal,rectangle
- K 金属方形
Metal,square
- T 塑料外壳
Plastic

输入电压 Input voltage

- S 220-240 VAC
- H 100-240 VAC
- E 100-120 VAC
- X 100-277 VAC

输出功率 Output power

- 6 6 W
- 30 30 W
- 350 350W

输出电流/电压 Output current / voltage

- 12 12 V
- 24 24 V
- 120 120 mA
- 1050 1050 mA

版本 Version

- EXC 基础版, 0.9 PF
Basic version, 0.9 PF
- ADV 高级版
Advanced version
- PRO 专业版
Professional version

迭代号 Generation

- 1 第一代
First generation
- 2 第二代
Second generation

功率因素/频闪 Power factor & Flicker

- L 0.9PF&无频闪
0.9PF & Flicker-free
- R 0.9PF&频闪
0.9PF & Flicker

调光方式 Dimming method

- DALI-2 DALI调光
DALI-2 dimming
- 0-10 0-10V调光
0-10 dimming
- PWM PWM调光
PWM dimming

防护等级 Type of protection

- IP20 默认为空
Default empty
- IP44 IP44
- IP67 IP67

恒流系列

Constant Current Series

PMX 0-10V系列 PMX 0-10V Series

CH系列 CH Series

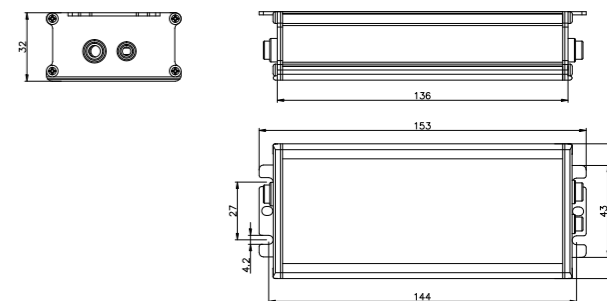
SS系列 SS Series

SH系列 SH Series

PMX 0-10V系列 PMX 0-10V Series

恒流

- 可适配I/II类灯具
· For luminaire of protection class I and class II
- 隔离 / 安全特低电压 / 独立式
· Isolated / SELV / Independent
- 输入电压: 100-277VAC
· Input Voltage 100-277VAC
- 调节电流: 离线编程可调
· Adjustable current by programmable offline
- 控制方式: 三合一调光, 0/1-10V, PWM, 时控调光
· 3 in 1 dimming: 1/0-10V/PWM/Time-based dimming
- 光衰补偿
· Constant Lumen Output (CLO)
- 防雷等级: 6kV/10kV
· Surge: 6kV/10kV
- 保护功能: 过载 / 短路 / 过温 / 欠压保护
· Protection: OLP / SCP / OTP / UVP
- 防护等级: IP67
· IP67
- 高可靠性, 长寿命, 5年质保
· High Reliability, Long Lifespan, 5-Year Warranty



应用领域: 路灯 | 隧道灯
Application: Street light | Tunnel light

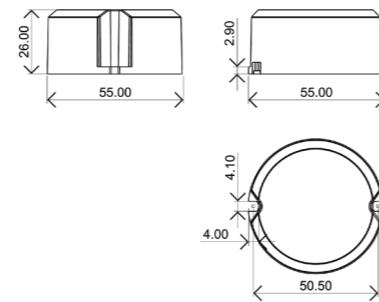
型号 Model	功率 Power	输入电压 Input Voltage	输出电流 Output Current	输出电压 Output Voltage	效率 Efficiency	功率因数 Power Factor	尺寸 Size (L*W*H)
PMX-30-1050 IP67 0-10 L	30W	100-277VAC	105-1050mA	28-56V	87%	0.95	110*63*32mm
PMX-50-1500 IP67 0-10 L	50W	100-277VAC	150-1500mA	28-56V	88%	0.95	110*63*32mm
PMX-75-2100 IP67 0-10 L	75W	100-277VAC	210-2100mA	28-56V	89%	0.95	121*63*32mm
PMX-100-2800 IP67 0-10 L	100W	100-277VAC	280-2800mA	28-56V	91%	0.95	140*63*32mm
PMX-150-4200 IP67 0-10 L	150W	100-277VAC	420-4200mA	28-56V	91%	0.96	172*63*32mm
PMX-200-5600 IP67 0-10 L	200W	100-277VAC	560-5600mA	28-56V	92%	0.95	193*63*37mm
PMX-240-6700 IP67 0-10 L	240W	100-277VAC	670-6700mA	28-56V	93%	0.95	209*63*37mm

CH系列

CH Series

恒流

- 可适配II类灯具
· For luminaire of protection class II
- 隔离 / 安全特低电压 / 内置式
· Isolated / SELV / Built-in
- 输入电压: 100-240VAC
· Input Voltage: 100-240VAC
- 多重保护: 短路 / 过载 / 过压保护
· Protections: SCP / OLP / OVP
- 效率≥86%
· Efficiency≥86%
- 五年质保
· 5 years warranty
- IP65
· IP65



应用领域: 户外壁灯 | 草坪灯
Application: Outdoor-Wall light | Lawn light

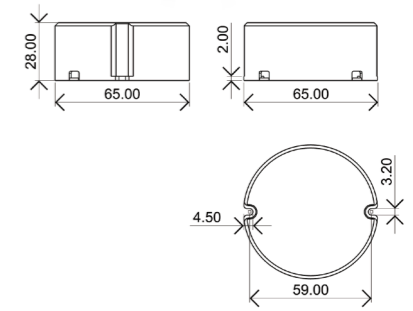
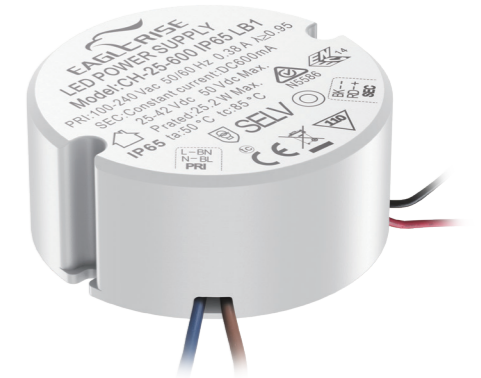
型号 Model	功率 Power	输入电压 Input Voltage	输出电流 Output Current	输出电压 Output Voltage	效率 Efficiency	功率因数 Power Factor	尺寸 Size (L*W*H)
CH-12-250 IP65 LB1	12W	100-240VAC	250mA	29-48V	81%	0.92	Φ55*26mm
CH-12-300 IP65 LB1	12W	100-240VAC	300mA	24-40V	81%	0.92	Φ55*26mm
CH-12-350 IP65 LB1	12W	100-240VAC	350mA	20-35V	81%	0.92	Φ55*26mm
CH-12-400 IP65 LB1	12W	100-240VAC	400mA	18-30V	81%	0.92	Φ55*26mm
CH-12-450 IP65 LB1	12W	100-240VAC	450mA	16-27V	81%	0.92	Φ55*26mm
CH-12-500 IP65 LB1	12W	100-240VAC	500mA	14-24V	81%	0.92	Φ55*26mm
CH-12-550 IP65 LB1	12W	100-240VAC	550mA	13-22V	81%	0.92	Φ55*26mm
CH-12-600 IP65 LB1	12W	100-240VAC	600mA	12-20V	81%	0.92	Φ55*26mm
CH-12-650 IP65 LB1	12W	100-240VAC	650mA	11-18.5V	81%	0.92	Φ55*26mm
CH-12-700 IP65 LB1	12W	100-240VAC	700mA	10.5-17.5V	81%	0.92	Φ55*26mm
CH-18-300 IP65 LB	18W	100-240VAC	300mA	36-60V	86%	0.94	Φ55*26mm
CH-18-350 IP65 LB	18W	100-240VAC	350mA	31-52V	86%	0.94	Φ55*26mm
CH-18-400 IP65 LB	18W	100-240VAC	400mA	27-45V	86%	0.94	Φ55*26mm
CH-18-450 IP65 LB	18W	100-240VAC	450mA	24-40V	86%	0.94	Φ55*26mm
CH-18-500 IP65 LB	18W	100-240VAC	500mA	21.5-36V	86%	0.94	Φ55*26mm
CH-18-550 IP65 LB	18W	100-240VAC	550mA	19.5-33V	86%	0.94	Φ55*26mm
CH-18-600 IP65 LB	18W	100-240VAC	600mA	18-30V	86%	0.94	Φ55*26mm
CH-18-650 IP65 LB	18W	100-240VAC	650mA	16.5-28	86%	0.94	Φ55*26mm
CH-18-700 IP65 LB	18W	100-240VAC	700mA	15.5-26V	86%	0.94	Φ55*26mm

CH系列

CH Series

恒流

- 可适配II类灯具
· For luminaire of protection class II
- 隔离 / 安全特低电压 / 内置式
· Isolated / SELV / Built-in
- 输入电压: 100-240VAC
· Input Voltage: 100-240VAC
- 多重保护: 短路 / 过载 / 过压保护
· Protections: SCP / OLP / OVP
- 功率因数>0.95
· Power Factor>0.95
- 效率≥86%
· Efficiency≥86%
- 五年质保
· 5 years warranty
- IP65
· IP65



应用领域: 户外壁灯 | 草坪灯
Application: Outdoor-Wall light | Lawn light

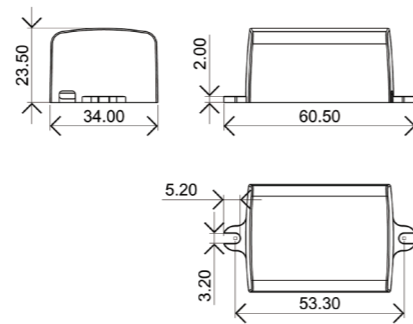
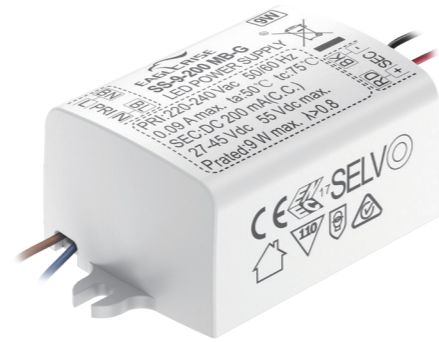
型号 Model	功率 Power	输入电压 Input Voltage	输出电流 Output Current	输出电压 Output Voltage	效率 Efficiency	功率因数 Power Factor	尺寸 Size (L*W*H)
CH-25-300 IP65 LB1	25W	100-240VAC	300mA	50-84V	86%	0.95	Φ65*28mm
CH-25-350 IP65 LB1	25W	100-240VAC	350mA	43-72V	86%	0.95	Φ65*28mm
CH-25-400 IP65 LB1	25W	100-240VAC	400mA	37.5-63V	86%	0.95	Φ65*28mm
CH-25-450 IP65 LB1	25W	100-240VAC	450mA	33.5-56V	86%	0.95	Φ65*28mm
CH-25-500 IP65 LB1	25W	100-240VAC	500mA	30-50V	86%	0.95	Φ65*28mm
CH-25-550 IP65 LB1	25W	100-240VAC	550mA	27-45.5V	86%	0.95	Φ65*28mm
CH-25-600 IP65 LB1	25W	100-240VAC	600mA	25-42V	86%	0.95	Φ65*28mm
CH-25-650 IP65 LB1	25W	100-240VAC	650mA	23-38.5V	86%	0.95	Φ65*28mm
CH-25-700 IP65 LB1	25W	100-240VAC	700mA	21.5-36V	86%	0.95	Φ65*28mm
CH-25-750 IP65 LB1	25W	100-240VAC	750mA	20-33.5V	86%	0.95	Φ65*28mm
CH-25-800 IP65 LB1	25W	100-240VAC	800mA	19-31.5V	86%	0.95	Φ65*28mm

SS系列

SS Series

恒流

- 可适配I/II类灯具
· For luminaire of protection class I and class II
- 隔离 / 安全特低电压 / 内置式
· Isolated / SELV / built-in
- 输入电压: 220-240VAC
· Input Voltage: 220-240VAC
- 多重保护: 短路 / 过载 / 过压保护
· Protections: SCP / OLP / OVP
- 功率因素>0.8
· Power Factor>0.8
- 效率≥81%
· Efficiency≥81%
- 五年质保
· 5 years warranty



应用领域: 射灯 | LED筒灯 | 壁灯

Application: LED spot light | LED down light | Wall light

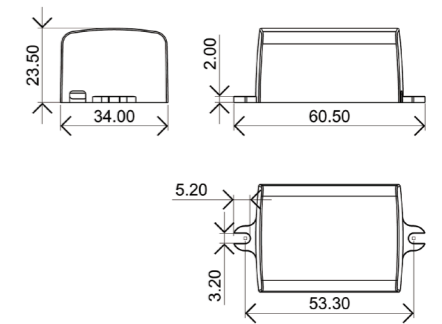
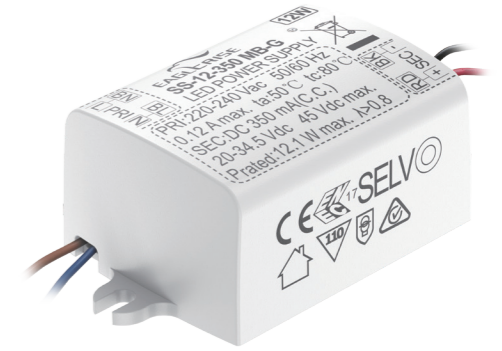
型号 Model	功率 Power	输入电压 Input Voltage	输出电流 Output Current	输出电压 Output Voltage	效率 Efficiency	功率因数 Power Factor	尺寸 Size (L*W*H)
SS-9-200 MB-G	9W	220-240VAC	200mA	27-45V	81%	0.8	60*34*23.5mm
SS-9-250 MB-G	9W	220-240VAC	250mA	21-36V	81%	0.8	60*34*23.5mm
SS-9-300 MB-G	9W	220-240VAC	300mA	18-30V	81%	0.8	60*34*23.5mm
SS-9-350 MB-G	9W	220-240VAC	350mA	15-26V	81%	0.8	60*34*23.5mm
SS-9-400 MB-G	9W	220-240VAC	400mA	13-22.5V	81%	0.8	60*34*23.5mm
SS-9-450 MB-G	9W	220-240VAC	450mA	11-20V	81%	0.8	60*34*23.5mm
SS-9-500 MB-G	9W	220-240VAC	500mA	8.5-18V	81%	0.8	60*34*23.5mm
SS-9-550 MB-G	9W	220-240VAC	550mA	9-16.5V	81%	0.8	60*34*23.5mm
SS-9-600 MB-G	9W	220-240VAC	600mA	9-15V	81%	0.8	60*34*23.5mm
SS-9-650 MB-G	9W	220-240VAC	650mA	8-14V	81%	0.8	60*34*23.5mm
SS-9-700 MB-G	9W	220-240VAC	700mA	7-13V	81%	0.8	60*34*23.5mm

SS系列

SS Series

恒流

- 可适配I/II类灯具
· For luminaire of protection class I and class II
- 隔离 / 安全特低电压 / 内置式
· Isolated / SELV / built-in
- 输入电压: 220-240VAC
· Input Voltage: 220-240VAC
- 多重保护: 短路 / 过载 / 过压保护
· Protections: SCP / OLP / OVP
- 功率因素>0.8
· Power Factor>0.8
- 效率≥81%
· Efficiency≥81%
- 五年质保
· 5 years warranty



应用领域: 射灯 | LED筒灯 | 壁灯

Application: LED spot light | LED down light | Wall light

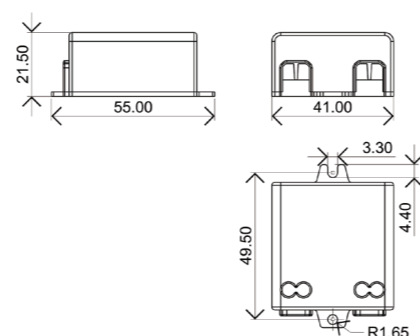
型号 Model	功率 Power	输入电压 Input Voltage	输出电流 Output Current	输出电压 Output Voltage	效率 Efficiency	功率因数 Power Factor	尺寸 Size (L*W*H)
SS-12-250 MB-G	12W	220-240VAC	250mA	28.5-48V	81%	0.8	60*34*23.5mm
SS-12-300 MB-G	12W	220-240VAC	300mA	24-40V	81%	0.8	60*34*23.5mm
SS-12-350 MB-G	12W	220-240VAC	350mA	20-34.5V	81%	0.8	60*34*23.5mm
SS-12-400 MB-G	12W	220-240VAC	400mA	18-30V	81%	0.8	60*34*23.5mm
SS-12-450 MB-G	12W	220-240VAC	450mA	16-27V	81%	0.8	60*34*23.5mm
SS-12-500 MB-G	12W	220-240VAC	500mA	14.5-24V	81%	0.8	60*34*23.5mm
SS-12-550 MB-G	12W	220-240VAC	550mA	13-22V	81%	0.8	60*34*23.5mm
SS-12-600 MB-G	12W	220-240VAC	600mA	12-20V	81%	0.8	60*34*23.5mm
SS-12-650 MB-G	12W	220-240VAC	650mA	11-18.5V	81%	0.8	60*34*23.5mm
SS-12-700 MB-G	12W	220-240VAC	700mA	10-18V	81%	0.8	60*34*23.5mm

SS系列

SS Series

恒流

- 可适配I/II类灯具
· For luminaire of protection class I and class II
- 隔离 / 安全特低电压 / 内置式
· Isolated / SELV / built-in
- 输入电压: 220-240VAC
· Input Voltage: 220-240VAC
- 多重保护: 短路 / 过载 / 过压保护
· Protections: SCP / OLP / OVP
- 功率因素>0.7
· Power Factor>0.7
- 效率≥81%
· Efficiency≥81%
- 五年质保
· 5 years warranty



应用领域: 射灯 | LED筒灯 | 壁灯

Application: LED spot light | LED down light | Wall light

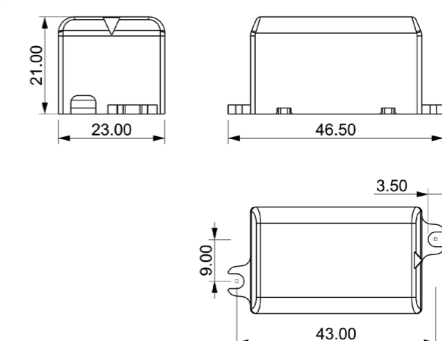
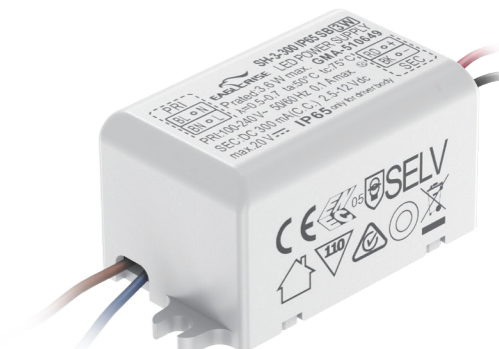
型号 Model	功率 Power	输入电压 Input Voltage	输出电流 Output Current	输出电压 Output Voltage	效率 Efficiency	功率因数 Power Factor	尺寸 Size (L*W*H)
SS-9-200 MX-G	9W	220-240VAC	200mA	27-45V	81%	0.7	55*41*21.5mm
SS-9-300 MX-G	9W	220-240VAC	300mA	18-30V	81%	0.7	55*41*21.5mm
SS-9-350 MX-G	9W	220-240VAC	350mA	15-26V	81%	0.7	55*41*21.5mm
SS-9-500 MX-G	9W	220-240VAC	500mA	8.5-18V	81%	0.7	55*41*21.5mm
SS-9-700 MX-G	9W	220-240VAC	700mA	7-13V	81%	0.7	55*41*21.5mm
SS-12-300 MX-G	12W	220-240VAC	300mA	24-40V	80%	0.7	55*41*21.5mm
SS-12-350 MX-G	12W	220-240VAC	350mA	20-34.5V	80%	0.7	55*41*21.5mm
SS-12-400 MX-G	12W	220-240VAC	350mA	18-30V	80%	0.7	55*41*21.5mm
SS-12-500 MX-G	12W	220-240VAC	500mA	14.5-24V	80%	0.7	55*41*21.5mm
SS-12-700 MX-G	12W	220-240VAC	700mA	10-18V	80%	0.7	55*41*21.5mm

SH系列

SH Series

恒流

- 可适配II类灯具
· For luminaire of protection class II
- 隔离 / 安全特低电压 / 内置式
· Isolated / SELV / built-in
- 输入电压: 100-240VAC
· Input Voltage: 100-240VAC
- 多重保护: 短路 / 过载 / 过压保护
· Protections: SCP / OLP / OVP
- 功率因素>0.5
· Power Factor>0.5
- 效率≥68%
· Efficiency≥68%
- 五年质保
· 5 years warranty
- IP65
· IP65



应用领域: 射灯 | 壁灯

Application: LED spot light | Wall light

型号 Model	功率 Power	输入电压 Input Voltage	输出电流 Output Current	输出电压 Output Voltage	效率 Efficiency	功率因数 Power Factor	尺寸 Size (L*W*H)
SH-3-300 IP65 SB	3W	100-240VAC	300mA	2.5-12V	68%	0.5	47*23*21mm
SH-3-350 IP65 SB	3W	100-240VAC	350mA	2.5-10V	68%	0.5	47*23*21mm
SH-3-500 IP65 SB	3W	100-240VAC	500mA	2.5-7V	68%	0.5	47*23*21mm
SH-3-700 IP65 SB	3W	100-240VAC	700mA	2.4-4.5V	68%	0.5	47*23*21mm

恒压系列

Constant Voltage Series

VTS DALI+0-10V系列
VTS DALI + 0-10V Series

MS DALI-2系列
MS DALI-2 Series

VTS系列
VTS Series

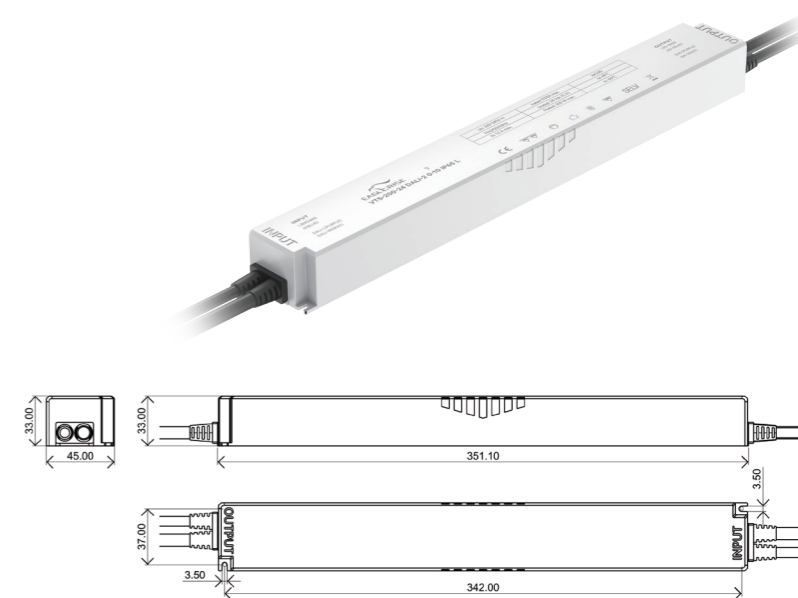
VMS系列
VMS Series

SH系列
SH Series

VTS DALI+0-10V调光系列 VTS DALI+0-10V Dimming Series

恒压

- 可适配I/II类灯具
· For luminaire of protection class I and class II
- 隔离 / 安全特低电压 / 独立式
· Isolated / SELV / Independent
- 输入电压: 220-240VAC
· Input Voltage: 220-240VAC
- 内置主动PFC功能
· Built-in active PFC function
- 支持三合一调光 (DALI / PUSH / 0-10V)
· 3 in 1 dimming (DALI / PUSH / 0-10V)
- 含DALI协议part251/252/253
· DALI-2 Parts 251, 252 and 253
- 多重保护: 短路 / 过载 / 过压保护
· Protections: SCP / OLP / OVP
- 5年质保
· 5 years warranty
- IP65
· IP65



应用领域: 景观照明 | 建筑照明 | 广告照明 | 户外LED带状照明

Application: Landscape lighting | Architectural lighting | Advertising lighting | Outdoor LED strip lighting

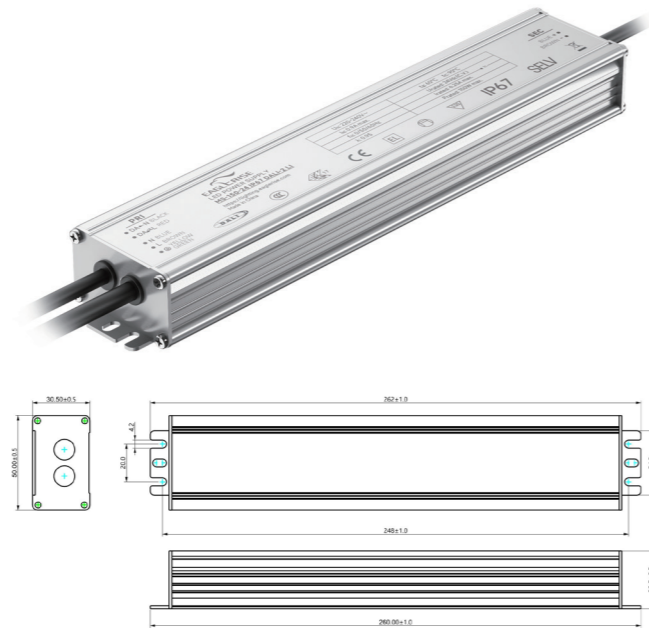
型号 Model	功率 Power	输入电压 Input Voltage	输出电流 Output Current	输出电压 Output Voltage	效率 Efficiency	功率因数 Power Factor	尺寸 Size (L*W*H)
VTS-200-24 DALI-2 0-10 IP65 L	200W	220-240VAC	0-8.33A	24V	91%	0.95	351*45*33mm

MS-DALI调光系列

MS-DALI Dimming Series

恒压

- 可适配I/II类灯具
· For luminaire of protection class I and class II
- 隔离 / 安全特低电压 / 独立式
· Isolated / SELV / Independent
- 输入电压220-240VAC
· Input Voltage 220-240 VAC
- 多重保护: 短路 / 过载 / 过压 / 过温保护
· Protection: SCP/ OLP/ OVP/ OTP
- 支持DALI/PUSH调光
· DALI dimming, Push Dimming
- 含DALI协议part251/252/253
· DALI-2 Parts 251, 252 and 253
- 使用寿命: 50000小时; 5年质保
· Lifetime: 50000 hours; 5 years warranty
- 效率>91%; 功率因数 > 0.95
· Efficiency>91%; Power Factor > 0.95
- 浪涌保护: 4kV/6kV
· Surge Protection: 4kV/6kV
- IP67
· IP67



应用领域: 景观照明 | 建筑照明 | 广告照明 | 户外LED带状照明

Application: Landscape lighting | Architectural lighting | Advertising lighting | Outdoor LED strip lighting

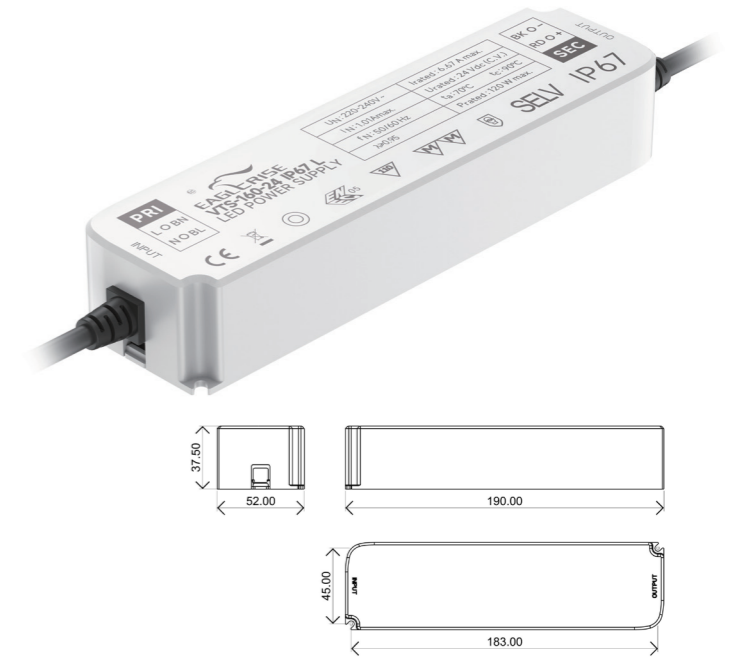
型号 Model	功率 Power	输入电压 Input Voltage	输出电流 Output Current	输出电压 Output Voltage	效率 Efficiency	功率因数 Power Factor	尺寸 Size (L*W*H)
MS-45-24 IP67 DALI-2 LI	45W	220-240V	0-1.88A	24V	87%	0.95	162*50*30.5mm
MS-80-24 IP67 DALI-2 LI	80W	220-240V	0-3.33A	24V	88%	0.95	207*50*30.5mm
MS-150-24 IP67 DALI-2 LI	150W	220-240V	0-6.25A	24V	91%	0.95	262*50*30.5mm

VTS系列

VTS Series

恒压

- 可适配I/II类灯具
· For luminaire of protection class I and class II
- 隔离 / 安全特低电压 / 独立式
· Isolated / SELV / Independent
- 输入电压220-240VAC
· Input Voltage 220-240 VAC
- 多重保护: 短路 / 过载 / 过压 / 过温保护
· Protection: SCP / OLP / OVP / OTP
- 效率>92%
· Efficiency>92%
- 功率因数>0.95
· Power Factor>0.95
- 使用寿命: 50000小时; 5年质保
· Lifetime: 50000 hours; 5 years warranty
- Ta, Tc: 45°C/ 80°C
· Ta, Tc: 45°C/ 80°C
- 浪涌保护: 2kV
· Surge Protection: 2kV
- IP67
· IP67



应用领域: 景观照明 | 建筑照明 | 广告照明 | 户外LED带状照明

Application: Landscape lighting | Architectural lighting | Advertising lighting | Outdoor LED strip lighting

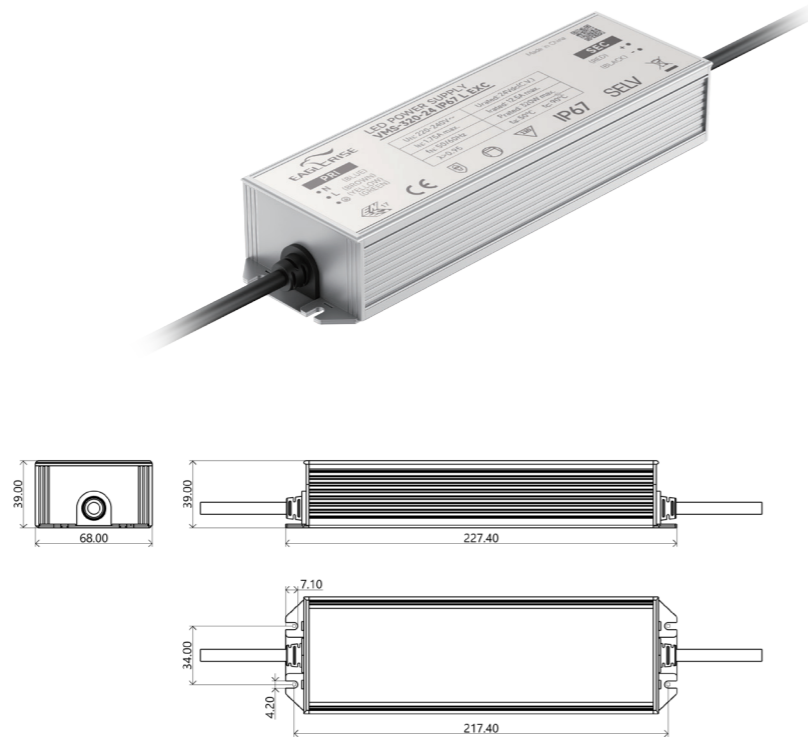
型号 Model	功率 Power	输入电压 Input Voltage	输出电流 Output Current	输出电压 Output Voltage	效率 Efficiency	功率因数 Power Factor	尺寸 Size (L*W*H)
VTS-24-12 IP67 L	24W	220-240VAC	0-2A	12V	86%	0.95	118*35*26mm
VTS-24-24 IP67 L	24W	220-240VAC	0-1A	24V	86%	0.95	118*35*26mm
VTS-40-12 IP67 L	40W	220-240VAC	0-3.34A	12V	86%	0.95	148*42*30mm
VTS-40-24 IP67 L	40W	220-240VAC	0-1.67A	24V	88%	0.95	148*42*30mm
VTS-60-12 IP67 L	60W	220-240VAC	0-5A	12V	86.5%	0.95	162.5*42.5*32mm
VTS-60-24 IP67 L	60W	220-240VAC	0-2.4A	24V	89%	0.95	162.5*42.5*32mm
VTS-100-12 IP67 L	100W	220-240VAC	0-8.33A	12V	87%	0.95	190*52*33mm
VTS-100-24 IP67 L	100W	220-240VAC	0-4.17A	24V	89%	0.95	190*52*33mm
VTS-160-12 IP67 L	160W	220-240VAC	0-13.33A	12V	91%	0.95	190*52*37.5mm
VTS-160-24 IP67 L	160W	220-240VAC	0-6.67A	24V	92%	0.95	190*52*37.5mm
VTS-160-48 IP67 L	160W	220-240VAC	0-3.33A	48V	92%	0.95	190*52*37.5mm

VMS-EXC系列

VMS-EXC Series

恒压

- 可适配II类灯具
· For luminaire of protection class I and class II
- 隔离 / 安全特低电压 / 独立式
· Isolated / SELV / Independent
- 输入电压220-240VAC
· Input Voltage 220-240 VAC
- 多重保护: 短路 / 过载 / 过压 / 过温保护
· Protection: SCP/ OLP/ OVP/ OTP
- 紧凑设计, 高功率密度
· Compact design with high power density
- 空载功率<0.5W
· No-load power<0.5W
- 效率≥93%
· efficiency≥93%
- 功率因数 > 0.95
· Power Factor > 0.95
- 使用寿命: 50000小时; 5年质保
· Lifetime: 50000 hours; 5 years warranty
- 浪涌保护: 4kV/6kV
· Surge Protection: 4kV/6kV
- IP67
· IP67



应用领域: 景观照明 | 建筑照明 | 广告照明 | 户外LED带状照明

Application: Landscape lighting | Architectural lighting | Advertising lighting | Outdoor LED strip lighting

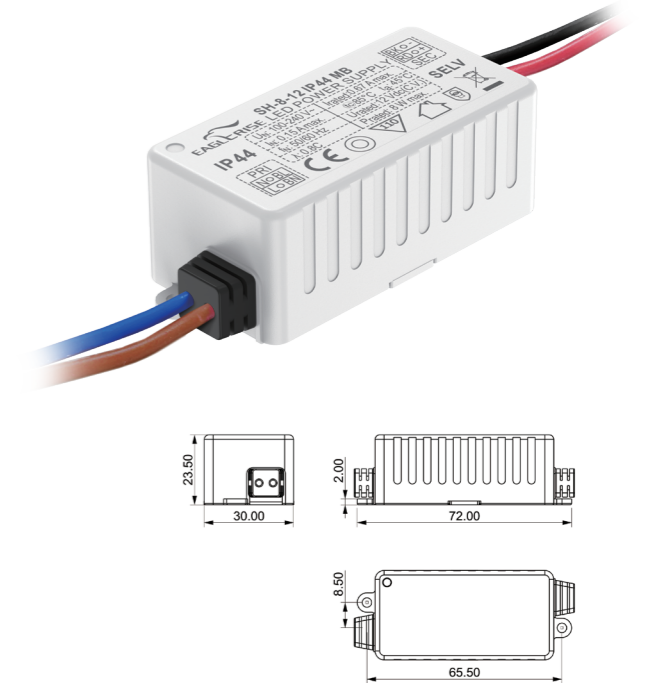
型号 Model	功率 Power	输入电压 Input Voltage	输出电流 Output Current	输出电压 Output Voltage	效率 Efficiency	功率因数 Power Factor	尺寸 Size (L*W*H)
VMS-50-12/24 IP67 L EXC	50W	220-240V	0-4.17A / 0-2.08A	12V / 24V	87%	0.95	127*39*28mm
VMS-50-36/48 IP67 L EXC	50W	220-240V	0-1.39A / 0-1.04A	36V / 48V	87%	0.95	127*39*28mm
VMS-75-12/24 IP67 L EXC	75W	220-240V	0-6.25A / 0-3.125A	12V / 24V	88%	0.95	143.4*47*32mm
VMS-75-36/48 IP67 L EXC	75W	220-240V	0-2.08A / 0-1.56A	36V / 48V	88%	0.95	143.4*47*32mm
VMS-100-12/24 IP67 L EXC	100W	220-240V	0-8.33A / 0-4.17A	12V / 24V	90%	0.95	164.4*53*32mm
VMS-100-36/48 IP67 L EXC	100W	220-240V	0-2.78A / 0-2.08A	36V / 48V	92%	0.95	164.4*53*32mm
VMS-150-12/24 IP67 L EXC	150W	220-240V	0-12.5A / 0-6.25A	12V / 24V	91% / 92%	0.95	176.4*55*36 mm
VMS-150-36/48 IP67 L EXC	150W	220-240V	0-4.17A / 0-3.13A	36V / 48V	92% / 93%	0.95	176.4*55*36 mm
VMS-200-12/24 IP67 L EXC	200W	220-240V	0-16.67A / 0-8.33A	12V / 24V	90% / 92%	0.95	186.4*57*36mm
VMS-200-36/48 IP67 L EXC	200W	220-240V	0-5.56A / 0-4.17A	36V / 48V	93%	0.95	186.4*57*36mm
VMS-250-24/36 IP67 L EXC	250W	220-240V	0-10.42A / 0-6.94A	24V / 36V	93%	0.95	213.4*63*36mm
VMS-250-48 IP67 L EXC	250W	220-240V	0-5.21A	48V	93%	0.95	213.4*63*36mm
VMS-320-24/36 IP67 L EXC	320W	220-240V	0-13.33A / 0-8.89A	24V / 36V	92% / 93%	0.95	227.4*68*39 mm
VMS-320-48 IP67 L EXC	320W	220-240V	0-6.67A	48V	93%	0.95	227.4*68*39 mm

SH系列

SH Series

恒压

- 可适配II类灯具
· For luminaire of protection class II
- 隔离 / 安全特低电压 / 内置式
· Isolated / SELV / built-in
- 输入电压: 100-240VAC
· Input Voltage 100-240VAC
- 多重保护: 短路 / 过载 / 过压保护
· Protections: SCP / OLP / OVP
- 功率因数>0.8
· Power Factor>0.8
- 效率≥80%
· Efficiency≥80%
- 五年质保
· 5 years warranty
- IP44
· IP44



应用领域: LED灯带

Application: LED strip

型号 Model	功率 Power	输入电压 Input Voltage	输出电流 Output Current	输出电压 Output Voltage	效率 Efficiency	功率因数 Power Factor	尺寸 Size (L*W*H)
SH-8-12 IP44 MB	8W	100-240VAC	0-0.67A	12V	75%	0.8	72*30*23.5mm
SH-8-24 IP44 MB	8W	100-240VAC	0-0.34A	24V	75%	0.8	72*30*23.5mm
SH-16-12 IP44 MB	16W	100-240VAC	0-1.25A	12V	76%	0.8	90.5*40*26mm
SH-16-24 IP44 MB	16W	100-240VAC	0-0.625A	24V	76%	0.8	90.5*40*26mm
SH-35-12 IP44 MB	35W	100-240VAC	0-2.91A	12V	80%	0.8	98.5*57*29.5mm
SH-35-24 IP44 MB	35W	100-240VAC	0-1.458A	24V	80%	0.8	98.5*57*29.5mm